

### THYRISTOR/ THYRISTOR

### ADD-A-pak™ GEN V Power Modules

#### Features

- High Voltage
- Industrial Standard Package
- Thick Al metal die and double stick bonding
- Thick copper baseplate
- UL E78996 approved
- 3500V<sub>RMS</sub> isolating voltage

#### Benefits

- Up to 1600V
- Full compatible TO-240AA
- High Surge capability
- Easy Mounting on heatsink
- Al<sub>2</sub>O<sub>3</sub> DBC insulator
- Heatsink grounded

105 A

#### Mechanical Description

The Generation V of Add-A-pak module combine the excellent thermal performance obtained by the usage of Direct Bonded Copper substrate with superior mechanical ruggedness, thanks to the insertion of a solid Copper baseplate at the bottom side of the device. The Cu baseplate allow an easier mounting on the majority of heatsink with increased tolerance of surface roughness and improve thermal spread. The Generation V of AAP module is manufactured without hard mold, eliminating in this way any possible direct stress on the leads.

The electrical terminals are secured against axial pull-out: they are fixed to the module housing via a click-stop feature already tested and proved as reliable on other IR modules.

#### Electrical Description

These modules are intended for general purpose high voltage applications such as high voltage regulated power supplies, lighting circuits, temperature and motor speed control circuits, UPS and battery charger.

#### Major Ratings and Characteristics

Parameters	IRKU/V105	Units
$I_{T(AV)}$ @ 85°C	105	A
$I_{T(RMS)}$	165	A
$I_{TSM}$ @ 50Hz	1785	A
@ 60Hz	1870	A
$I^2t$ @ 50Hz	15.91	KA <sup>2</sup> s
@ 60Hz	14.52	KA <sup>2</sup> s
$I^2\sqrt{t}$	159.1	KA <sup>2</sup> √s
$V_{RRM}$ range	400 to 1600	V
$T_{STG}$	-40 to 125	°C
$T_J$	-40 to 130	°C



**ELECTRICAL SPECIFICATIONS**

Voltage Ratings

Type number	Voltage Code	V <sub>RRM</sub> , maximum repetitive peak reverse voltage V	V <sub>RSM</sub> , maximum non-repetitive peak reverse voltage V	V <sub>DRM</sub> , max. repetitive peak off-state voltage, gate open circuit V	I <sub>RRM</sub> I <sub>DRM</sub> 130°C mA
IRKU/V105	04	400	500	400	20
	08	800	900	800	
	12	1200	1300	1200	
	16	1600	1700	1600	

On-state Conduction

Parameters	IRKU/V105	Units	Conditions
I <sub>T(AV)</sub> Max. average on-state current	105	A	180° conduction, half sine wave, T <sub>C</sub> = 85°C
I <sub>T(RMS)</sub> Max. RMS on-state current. @ T <sub>C</sub>	165	°C	DC
	77		
I <sub>TSM</sub> Max. peak, one cycle non-repetitive on-state current	1785	A	t=10ms No voltage
	1870		t=8.3ms reappplied
	1500		t=10ms 100% V <sub>RRM</sub>
	1570		t=8.3ms reappplied
	2000		t=10ms T <sub>J</sub> = 25°C,
	2100		t=8.3ms no voltage reappplied
I <sup>2</sup> t Max. I <sup>2</sup> t for fusing	15.91	KA <sup>2</sup> s	t=10ms No voltage
	14.52		t=8.3ms reappplied
	11.25		t=10ms 100% V <sub>RRM</sub>
	10.27		t=8.3ms reappplied
	20.00		t=10ms T <sub>J</sub> = 25°C,
	18.30		t=8.3ms no voltage reappplied
I <sup>2</sup> √t Max. I <sup>2</sup> √t for fusing (1)	159.1	KA <sup>2</sup> /√s	t=0.1 to 10ms, no voltage reappl., T <sub>J</sub> =T <sub>J</sub> max.
V <sub>T(TO)</sub> Max. value of threshold voltage (2)	0.80	V	Low level (3)
	0.85		High level (4)
r <sub>t</sub> Max. value of on-state slope resistance (2)	2.37	mΩ	Low level (3)
	2.25		High level (4)
V <sub>TM</sub> Max. peak on-state voltage	1.64	V	I <sub>TM</sub> = π × I <sub>T(AV)</sub>
			I <sub>FM</sub> = π × I <sub>F(AV)</sub>
di/dt Max. non-repetitive rate of rise of turned on current	150	A/μs	T <sub>J</sub> = 25°C, from 0.67 V <sub>DRM</sub> , I <sub>TM</sub> = π × I <sub>T(AV)</sub> , I <sub>g</sub> = 500mA, t <sub>r</sub> < 0.5 μs, t <sub>p</sub> > 6 μs
I <sub>H</sub> Max. holding current	200	mA	T <sub>J</sub> = 25°C, anode supply = 6V, resistive load, gate open circuit
I <sub>L</sub> Max. latching current	400		T <sub>J</sub> = 25°C, anode supply = 6V, resistive load

(1) I<sup>2</sup>t for time t<sub>X</sub> = I<sup>2</sup>√t × √t<sub>X</sub>

(2) Average power = V<sub>T(TO)</sub> × I<sub>T(AV)</sub> + r<sub>t</sub> × (I<sub>T(RMS)</sub>)<sup>2</sup>

(3) 16.7% × π × I<sub>AV</sub> < I < π × I<sub>AV</sub>

(4) I > π × I<sub>AV</sub>

**Triggering**

Parameters	IRK.U/V105	Units	Conditions	
$P_{GM}$ Max. peak gate power	12	W		
$P_{G(AV)}$ Max. average gate power	3			
$I_{GM}$ Max. peak gate current	3	A		
$-V_{GM}$ Max. peak negative gate voltage	10	V	Anode supply = 6V resistive load	
$V_{GT}$ Max. gate voltage required to trigger	4.0			$T_J = -40^\circ\text{C}$
	2.5			$T_J = 25^\circ\text{C}$
	1.7	$T_J = 125^\circ\text{C}$		
$I_{GT}$ Max. gate current required to trigger	270	mA	Anode supply = 6V resistive load	
	150			$T_J = -40^\circ\text{C}$
	80			$T_J = 125^\circ\text{C}$
$V_{GD}$ Max. gate voltage that will not trigger	0.25	V	$T_J = 125^\circ\text{C}$ , rated $V_{DRM}$ applied	
$I_{GD}$ Max. gate current that will not trigger	6	mA	$T_J = 125^\circ\text{C}$ , rated $V_{DRM}$ applied	

**Blocking**

Parameters	IRKU/V105	Units	Conditions
$I_{RRM}$ Max. peak reverse and $I_{DRM}$ off-state leakage current at $V_{RRM}$ , $V_{DRM}$	20	mA	$T_J = 130^\circ\text{C}$ , gate open circuit
$V_{INS}$ RMS isolation voltage	2500 (1 min) 3500 (1 sec)	V	50 Hz, circuit to base, all terminals shorted
$dv/dt$ Max. critical rate of rise of off-state voltage (5)	500	V/ $\mu\text{s}$	$T_J = 130^\circ\text{C}$ , linear to $0.67 V_{DRM}$ , gate open circuit

(5) Available with  $dv/dt = 1000\text{V}/\mu\text{s}$ , to complete code add S90 i.e. IRKU105/16AS90.

**Thermal and Mechanical Specifications**

Parameters	IRKU/V105	Units	Conditions
$T_J$ Junction operating temperature range	-40 to 130	$^\circ\text{C}$	
$T_{stg}$ Storage temperature range	-40 to 125		
$R_{thJC}$ Max. internal thermal resistance, junction to case	0.135	K/W	Per module, DC operation
$R_{thCS}$ Typical thermal resistance case to heatsink	0.1		Mounting surface flat, smooth and greased
T Mounting torque $\pm 10\%$ to heatsink busbar	5	Nm	A mounting compound is recommended and the torque should be rechecked after a period of 3 hours to allow for the spread of the compound
	3		
wt Approximate weight	110 (4)	g (oz)	
Case style	TO-240AA		JEDEC

**$\Delta R$  Conduction (per Junction)**

(The following table shows the increment of thermal resistance  $R_{thJC}$  when devices operate at different conduction angles than DC)

Devices	Sine half wave conduction					Rect. wave conduction					Units
	180°	120°	90°	60°	30°	180°	120°	90°	60°	30°	
IRKU/V105	0.04	0.05	0.06	0.08	0.12	0.03	0.05	0.06	0.08	0.12	$^\circ\text{C}/\text{W}$

# IRKU/V105 Series

Bulletin I27136 rev. E 10/02

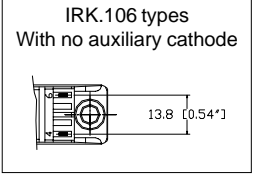
## Ordering Information Table

<b>Device Code</b>					
<b>IRK</b>	<b>U</b>	<b>105</b>	<b>/</b>	<b>16</b>	<b>A S90</b>
①	②	③		④	⑤ ⑥

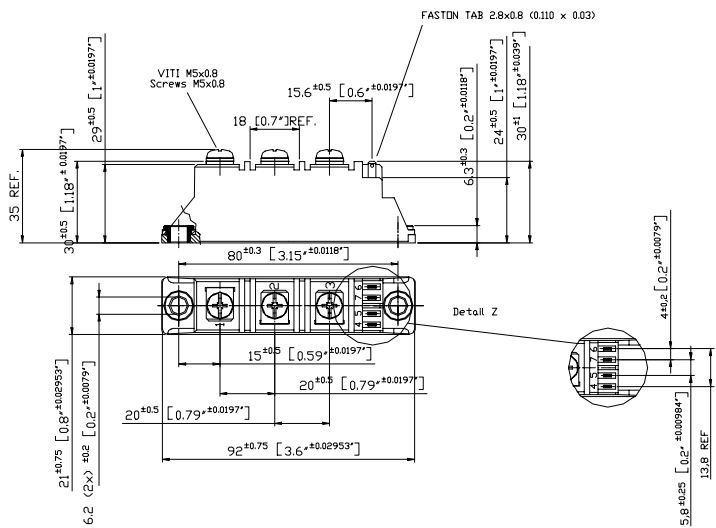
  

<p><b>1</b> - Module type</p> <p><b>2</b> - Circuit configuration (See Circuit Configuration table below)</p> <p><b>3</b> - Current code **</p> <p><b>4</b> - Voltage code (See Voltage Ratings table)</p> <p><b>5</b> - A : Gen V</p> <p><b>6</b> - dv/dt code: S90 = dv/dt 1000 V/μs No letter = dv/dt 500 Vμs</p>	<p>** Available with no auxiliary cathode. To specify change: 105 to 106</p> <p>e.g. : IRKU106/16A etc.</p>
--	---

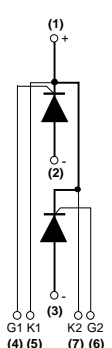
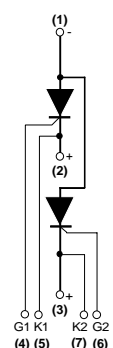
IRK.106 types  
With no auxiliary cathode



## Outline Table



Dimensions are in millimeters and [inches]

<p><b>IRKU</b></p> 	<p><b>IRKV</b></p> 
--	---

**NOTE: To order the Optional Hardware see Bulletin I27900**

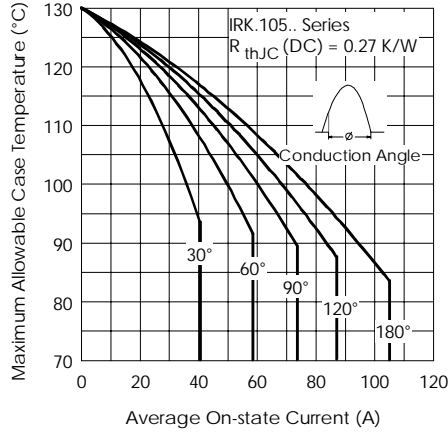


Fig. 1 - Current Ratings Characteristics

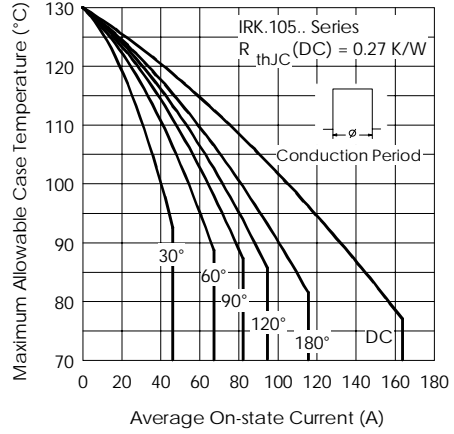


Fig. 2 - Current Ratings Characteristics

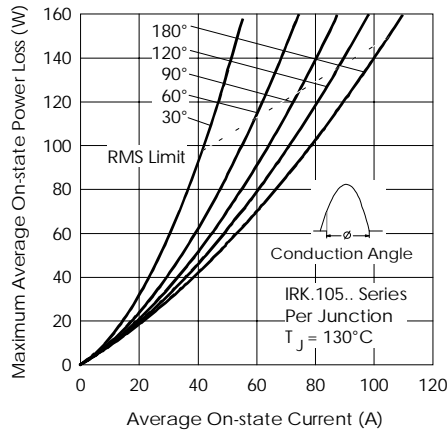


Fig. 3 - On-state Power Loss Characteristics

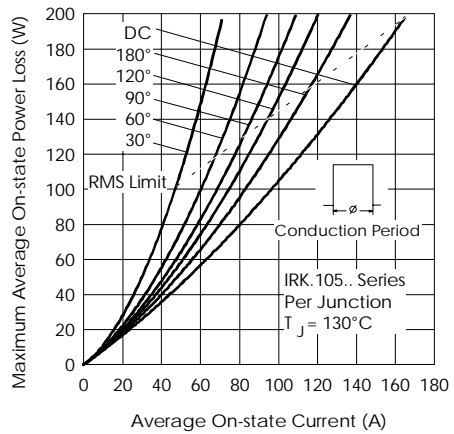


Fig. 4 - On-state Power Loss Characteristics

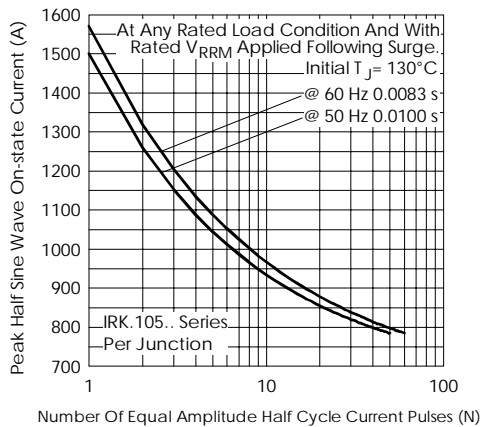


Fig. 5 - Maximum Non-Repetitive Surge Current

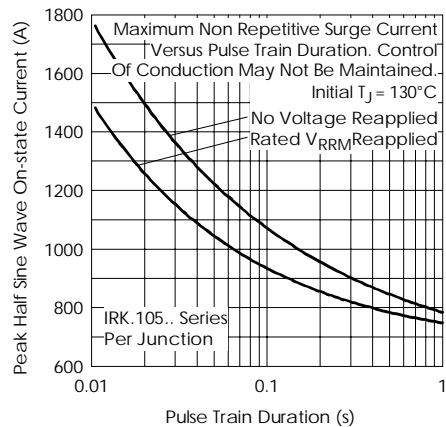


Fig. 6 - Maximum Non-Repetitive Surge Current

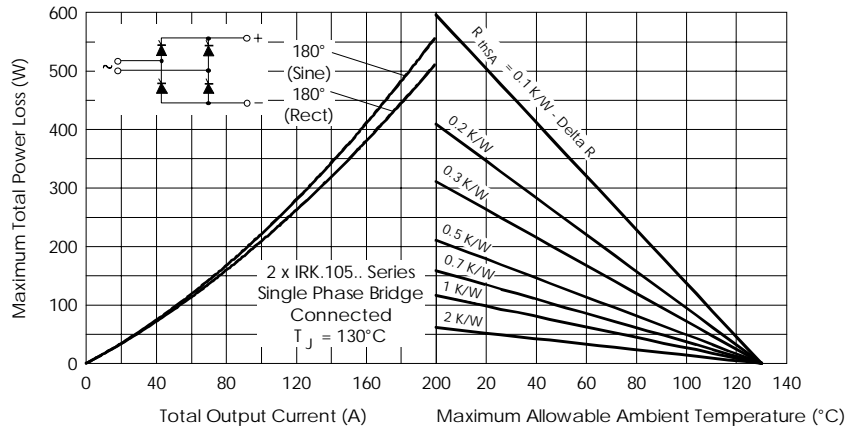


Fig. 7 - On-state Power Loss Characteristics (Single Phase Bridge IRKU+IRKV)

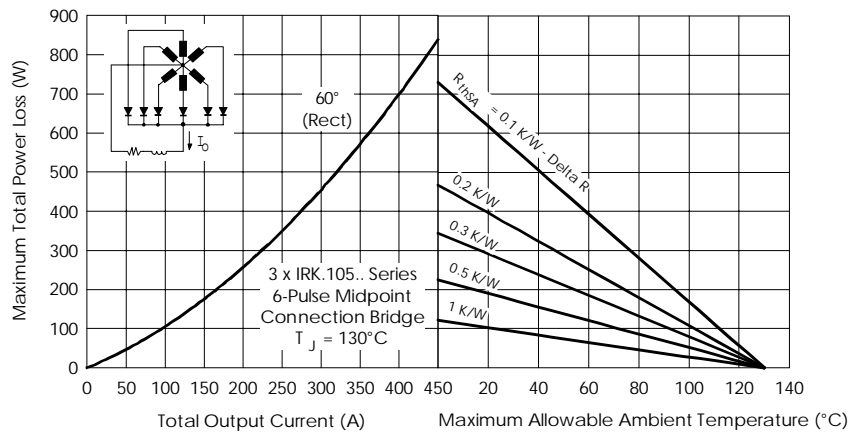


Fig. 8 - On-state Power Loss Characteristics

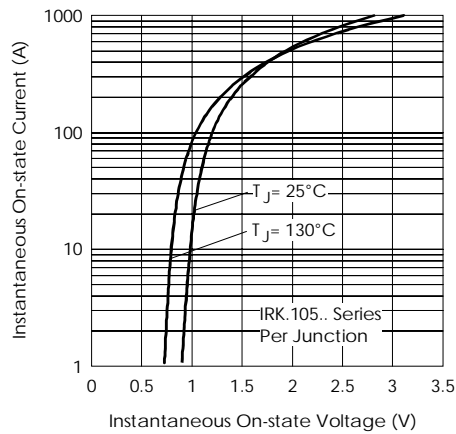


Fig. 9 - On-state Voltage Drop Characteristics

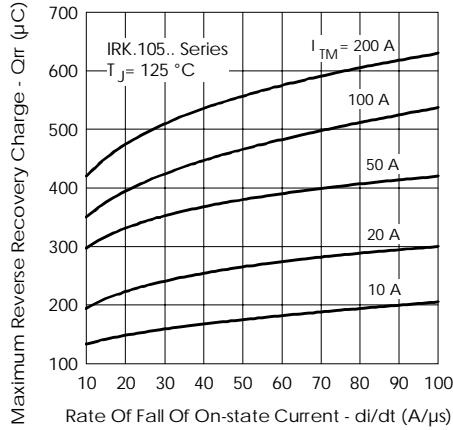


Fig. 10 - Recovery Charge Characteristics

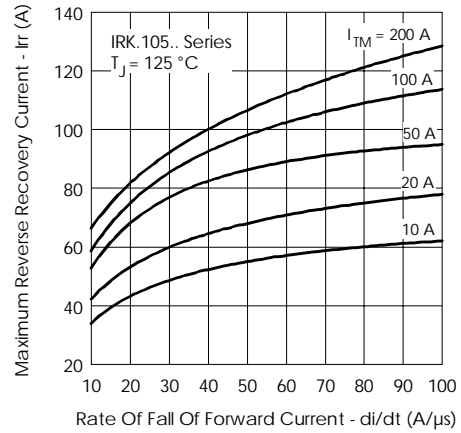


Fig. 11 - Recovery Current Characteristics

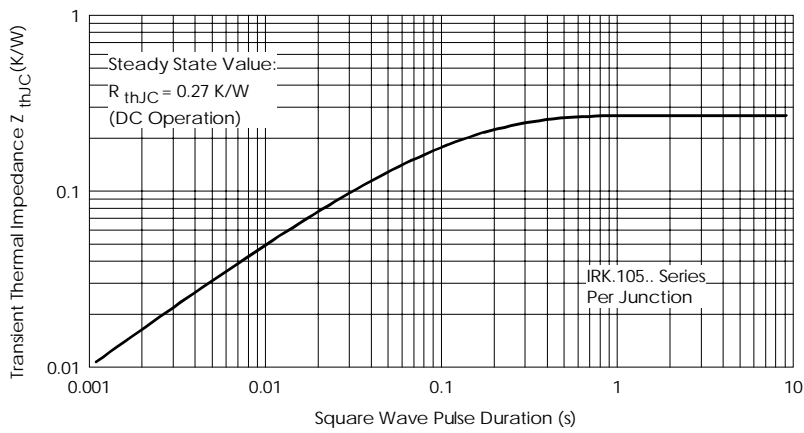


Fig. 12 - Thermal Impedance  $Z_{thJC}$  Characteristics

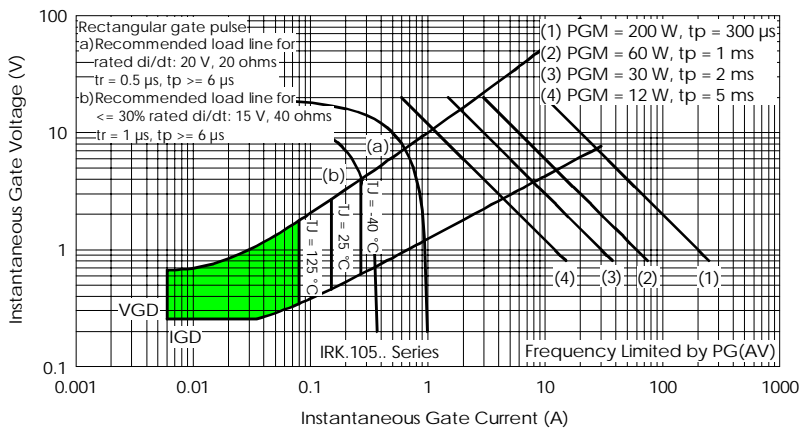


Fig. 13- Gate Characteristics

**IRKU/V105 Series**

Bulletin I27136 rev. E 10/02

International  
**IOR** Rectifier

Data and specifications subject to change without notice.  
This product has been designed and qualified for Industrial Level.  
Qualification Standards can be found on IR's Web site.

International  
**IOR** Rectifier

**IR WORLD HEADQUARTERS:** 233 Kansas St., El Segundo, California 90245, USA Tel: (310) 252-7105  
TAC Fax: (310) 252-7309  
Visit us at [www.irf.com](http://www.irf.com) for sales contact information. 10/02